

# 1A, Low Noise, Ultra High PSRR, Low-Dropout Linear Regulator

## ***General Description***

The Evaluation Board user guide describes the operational use of the RT2519 evaluation board as a reference design for demonstration and evaluation of the RT2519, an ultra-low noise, ultra-high PSRR, RF low-dropout (LDO) linear regulator.

Included in this user guide are setup and operating instructions, thermal and layout guidelines, a printed circuit board (PCB) layout, a schematic diagram, and a bill of materials (BOM). For more detail information, please refer to the RT2519 datasheet

## **Table of Contents**

General Description .....	1
Performance Sepcification Summary .....	2
Power-up Procedure .....	2
Detailed Description of Hardware .....	3
Bill of Materials.....	4
Typical Applications .....	5
Evaluation Board Layout.....	8
More Information.....	9
Important Notice for Richtek Evaluation Board.....	9

## Performance Specification Summary

Summary of the RT2519 Evaluation Board performance specification is provided in Table 1. The ambient temperature is 25°C.

Table 1. RT2519 Evaluation Board Performance Specification Summary

Specification	Test Conditions	Min	Typ	Max	Unit	
<b>Input Voltage Range</b>		2.2	3.8	6	V	
<b>Output Current</b>		0	--	1	A	
<b>Output Voltage Range</b>		0.8	3.3	5.5	V	
<b>Line Regulation</b>	$V_{OUT} + 0.5V \leq V_{IN} \leq 6V, V_{IN} \geq 2.2V, I_{OUT} = 100mA$	--	0.2	--	%	
<b>Load Regulation</b>	$100mA \leq I_{OUT} \leq 1A$	--	0.3	--	%	
<b>Dropout Voltage</b>	$V_{OUT} + 0.5V \leq V_{IN} \leq 6V, V_{FB} = 0V$	$V_{IN} \geq 2.2V, I_{OUT} = 500mA$	--	--	160	mV
		$V_{IN} \geq 2.5V, I_{OUT} = 750mA$	--	--	210	mV
		$V_{IN} \geq 2.5V, I_{OUT} = 1A$	--	--	370	mV

## Power-up Procedure

### Suggestion Required Equipments

- RT2519 Evaluation Board
- DC power supply capable of at least 6V and 1A
- Electronic load capable of 1A
- Function Generator
- Oscilloscope

### Quick Start Procedures

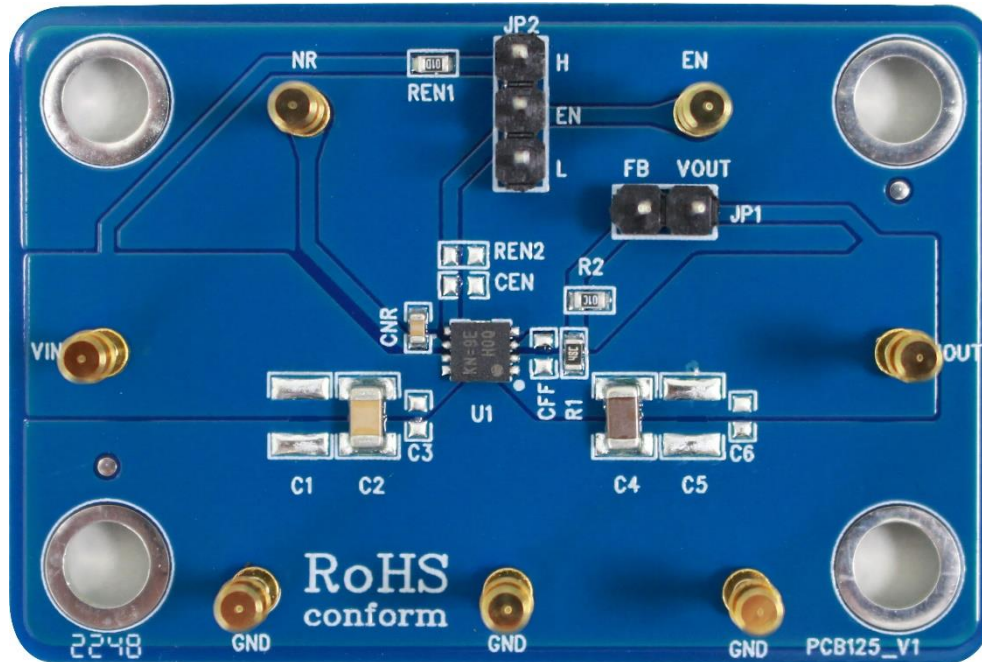
The Evaluation Board is fully assembled and tested. Follow the steps below to verify board operation. Do not turn on supplies until all connections are made. When measuring the output voltage ripple, care must be taken to avoid a long ground lead on the oscilloscope probe. Measure the output voltage ripple by touching the probe tip and grounding directly across the last output capacitor.

### Proper measurement equipment setup and follow the procedure below.

- 1) With power off, connect the input power supply to VIN and GND pins.
- 2) With power off, connect the electronic load between the VOUT and nearest GND pins.
- 3) Turn on the power supply at the input. Make sure that the input voltage does not exceeds 6V on the Evaluation Board.
- 4) Check for the proper output voltage using a voltmeter.
- 5) Once the proper output voltage is established, adjust the load within the operating ranges and observe the output voltage regulation, quiescent current, dropout voltage, PSRR, noise and other performance.

## Detailed Description of Hardware

### Headers Description and Placement



Carefully inspect all the components used in the EVB according to the following Bill of Materials table, and then make sure all the components are undamaged and correctly installed. If there is any missing or damaged component, which may occur during transportation, please contact our distributors or e-mail us at [evb\\_service@richtek.com](mailto:evb_service@richtek.com).

### Test Points

The EVB is provided with the test points and pin names listed in the table below.

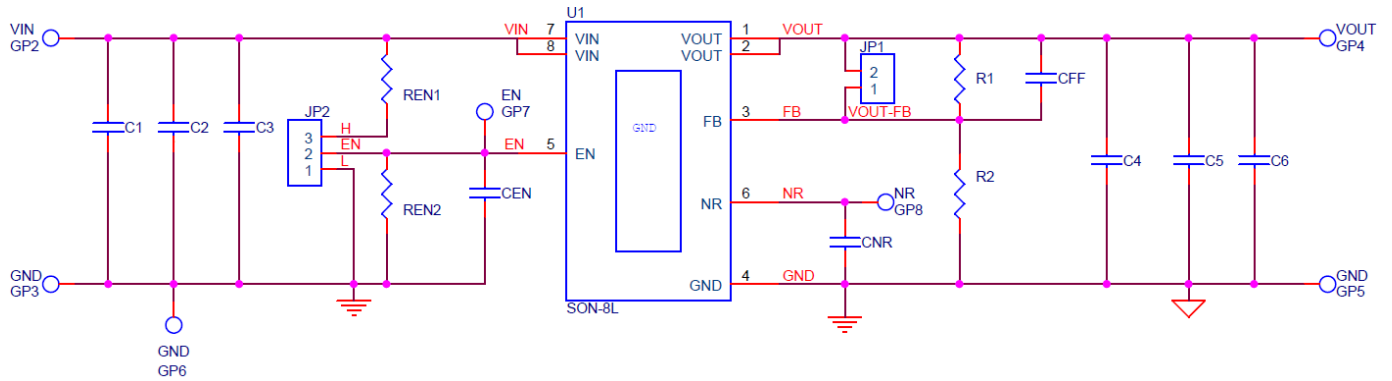
Test Point/ Pin Name	Function
<b>VIN</b>	Supply input pin.
<b>VOUT</b>	Output of the regulator.
<b>EN</b>	Enable sense pin.
<b>GND</b>	System ground pin.
<b>JP1</b>	Provide connection between VOUT and FB pin.
<b>JP2</b>	User can decide EN pin connected to high or low.

**Bill of Materials**

$V_{IN} = 2.2V$ to $6V$ , $V_{OUT} = 0.8V$ to $5.5V$ , $I_{OUT} = 1A$						
Reference	Count	Part Number	Value	Description	Package	Manufacturer
U1	1	RT2519GQV(2)	RT2519	LDO	VDFN-8AL 3x3	RICHTEK
C2	1	1206B105K500CT	1 $\mu$ F	Capacitor, ceramic, 50V, X7R	1206	WALSIN
C4	1	UMK316AB7475KL-T	4.7 $\mu$ F	Capacitor, ceramic, 50V, X7R	1206	TAIYO YUDEN
		GRM219R60J475KE19	4.7 $\mu$ F	Capacitor, ceramic, 6.3V, X5R	0805	MURATA
CNR	1	0603B103K500CT	10nF	Capacitor, ceramic, 50V, X7R	0603	WALSIN
R1	1	RTT033092FTP	30.9k	Resistor, Chip	0603	RALEC
R2	1	WR06X1002FTL	10k	Resistor, Chip	0603	WALSIN
REN1	1	WR06X1003FTL	100k	Resistor, Chip	0603	WALSIN

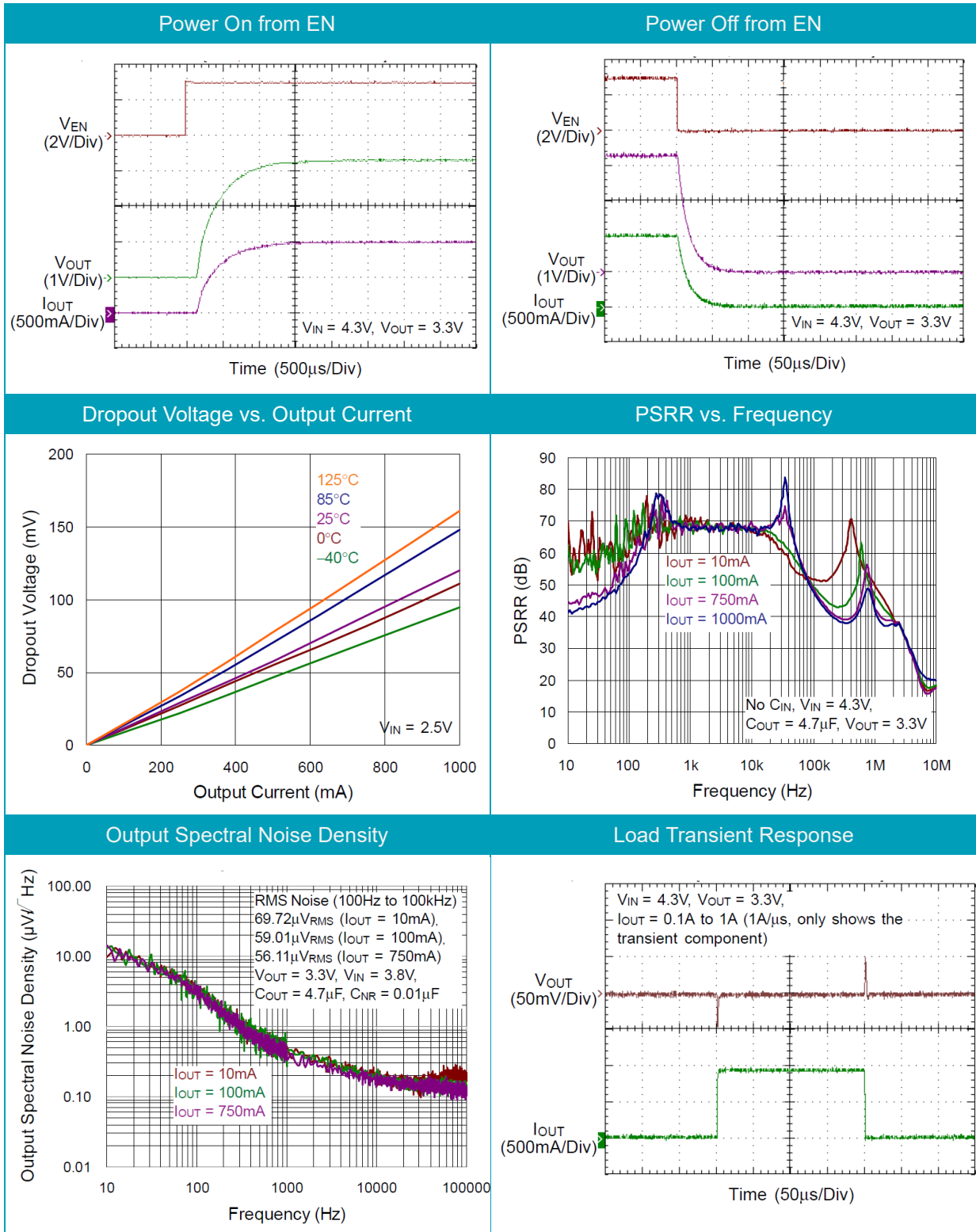
## Typical Applications

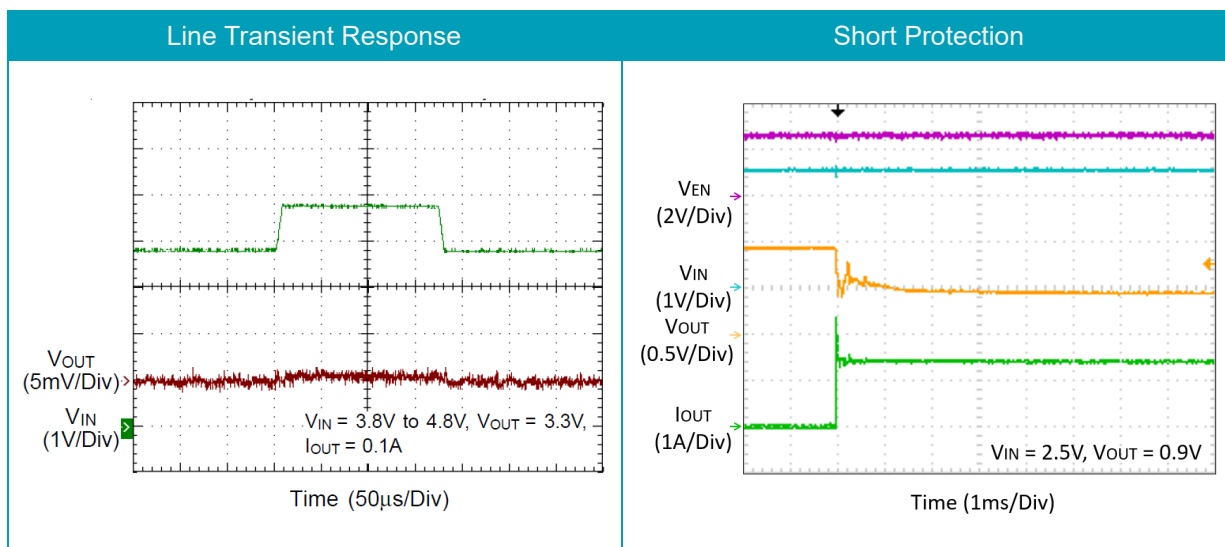
### EVB Schematic Diagram



1. The capacitance values of the input and output capacitors will influence the input and output voltage ripple.
2. MLCC capacitors have degrading capacitance at DC bias voltage, and especially smaller size MLCC capacitors will have much lower capacitance.

**Measure Result**





Note:

1. When measuring the input or output voltage ripple, care must be taken to avoid a long ground lead on the oscilloscope probe. Measure the output voltage ripple by touching the probe tip directly across the output capacitor.
2. The C4 component manufacturer used for these measurements is MURATA.

**Evaluation Board Layout**

Figure 1 and Figure 2 are RT2519 Evaluation Board layout. This board is constructed on two-layer PCB, outer layers with 1 oz. Cu and inner layers with 1 oz. Cu.

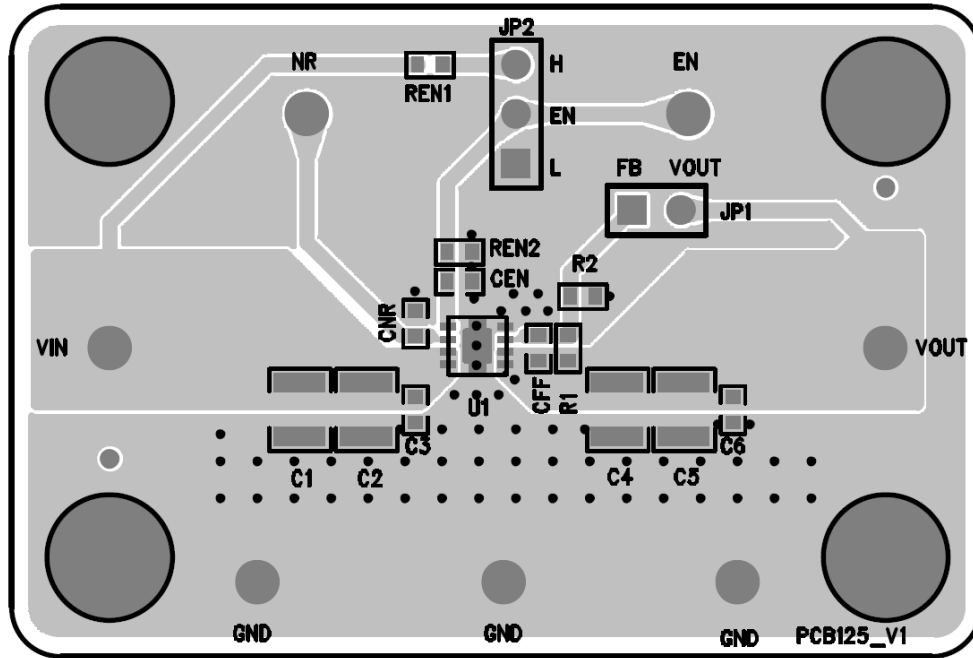


Figure 1. Top View (1<sup>st</sup> layer)

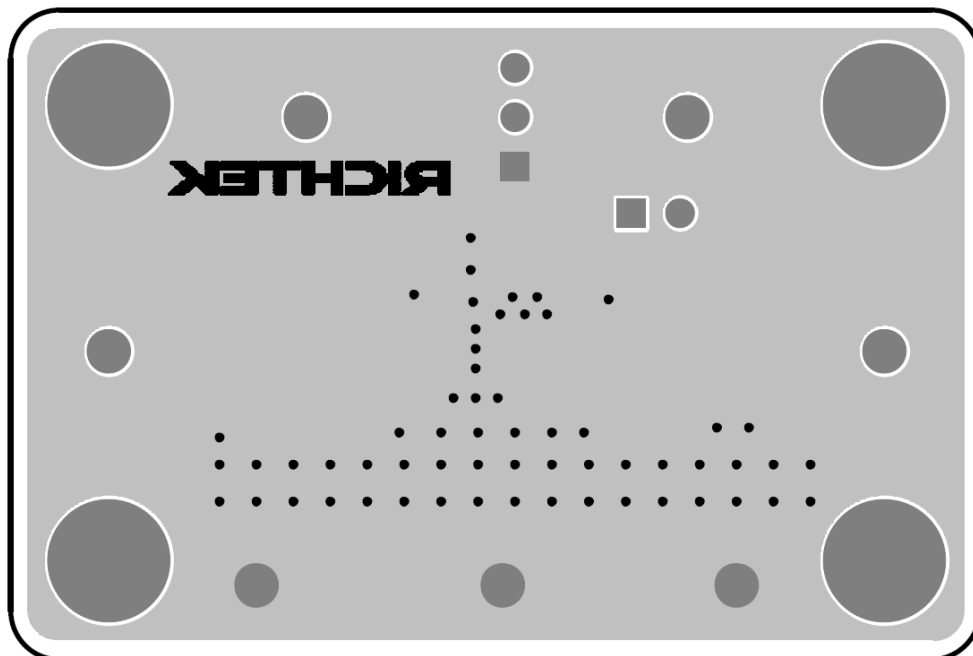


Figure 2. Bottom View (2<sup>nd</sup> Layer)



### ***More Information***

For more information, please find the related datasheet or application notes from Richtek website  
<http://www.richtek.com>.

### ***Important Notice for Richtek Evaluation Board***

THIS DOCUMENT IS FOR REFERENCE ONLY, NOTHING CONTAINED IN THIS DOCUMENT SHALL BE CONSTRUED AS RICHTEK'S WARRANTY, EXPRESS OR IMPLIED, UNDER CONTRACT, TORT OR STATUTORY, WITH RESPECT TO THE PRESENTATION HEREIN. IN NO EVENT SHALL RICHTEK BE LIABLE TO BUYER OR USER FOR ANY AND ALL DAMAGES INCLUDING WITHOUT LIMITATION TO DIRECT, INDIRECT, SPECIAL, PUNITIVE OR CONSEQUENTIAL DAMAGES.